

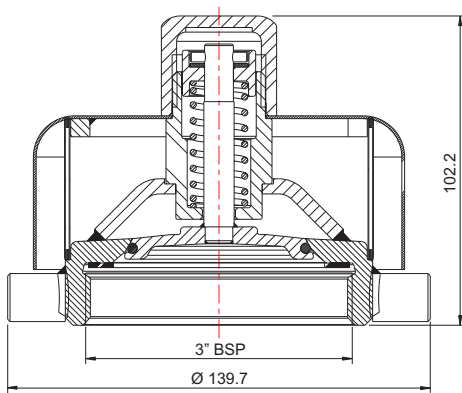


3" BSP Female Vacuum Vent Valve - suitable for a vacuum range of between 0.5"Hg to 6.2"Hg (0.02 Bar to 0.21 Bar). Manufactured in 316 stainless steel fitted with Fortyt seal. Fitted with weatherproof cowl and gauze ring.

Options - supplied less gauze. Flanged version with various drilling options. Flanged and lined version. Available with Viton seal.

Fitting Details

Example shown : 81B/X00XXGZ



Associated Parts

Part No.	Associated Parts
425/0018	3" BSPT male weld-in nipple

Specification

Weight 1.70 Kg

Model numbers 81B/X00XXGZ and 81BF/X00XXXGZ have been end-of-line flame tested to EN12874:2001 clause 6.3.2.1. using a Group IIA gas to comply with ADR regulations.

In-house test certificates confirming valve settings and serial numbers are supplied as standard.

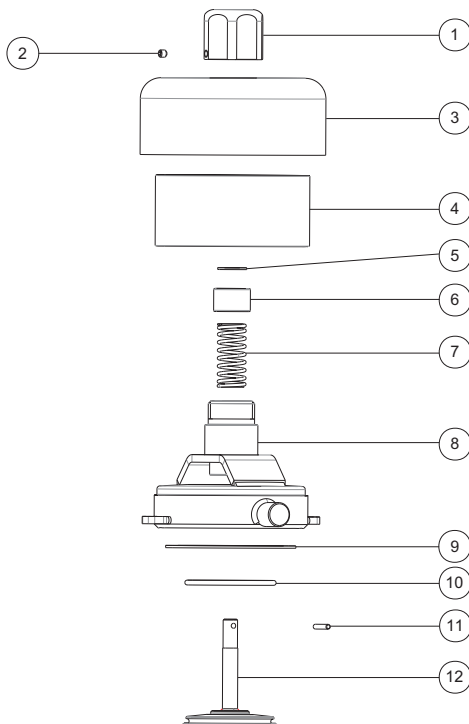
Visual inspection and service (where necessary) is recommended on a 6 monthly basis.

Range

Part No.	Description
81B/X00XX	3" BSPF – no gauze fitted to cowl
81B/X00XXGZ *	3" BSPF – with cowl & gauze
81BF/X00XXX	Flanged – no gauze fitted to cowl
81BF/X00XXXGZ *	Flanged – with cowl & gauze
81BF/X00XXXL	Flanged & lined – no gauze to cowl

* See note in Specification above.

Parts drawing



Item	Description	Part No.
1	Top Cap	1780/0580
2	Sockethead set screw	5121-001
3	Weatherproof cowl	1780/0560GZ
4	Gauze ring	10206/2
5	Plain washer	5123-007
6	Spring locator	1780/0570
7	Vacuum spring (See note)	5104-XXX
8	3" BSP vent valve body	1780/0600
9	PTFE seal	10329TP
10	Fortyt main seal (See note)	5005-679
11	Retaining pin	5118-020
12	Poppet	1780/0550

Note : Part number varies according to specification.